

Please note that the data given here has been taken from the online catalog. For comprehensive information and data, please refer to the user documentation at <http://www.download.phoenixcontact.com>. The General Terms and Conditions of Use apply to Internet downloads.

► Extract from the online catalog



The illustration shows a 5-position version

Order No.	1683413
Ord designation	SAC-3P-M12Y/2XM12FS B PE
EAN	4017918164171
Pack	5 Pcs.
Customs tariff	85366990
Catalog page information	Page 110 (PC-2005)

► Technical data

General data

Nominal current I_N	4 A
Nominal voltage U_N	24 V AC (In acc. with DIN VDE 0110)
Nominal voltage U_N	(In acc. with DIN VDE 0110)
Rated voltage	24 V
Number of positions	3
Contact resistance	$\leq 5 \text{ m}\Omega$
Ambient temperature (operation)	-25 ° C ... 90 ° C

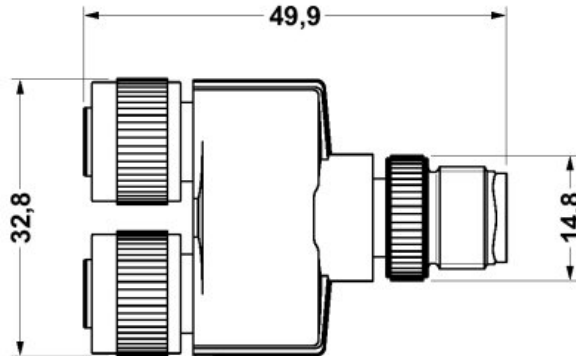


General characteristics

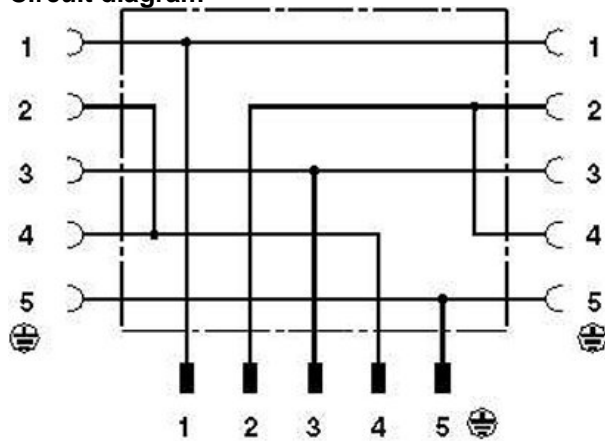
Insulating material	TPU
Material contact surface	Ni/Au
Material contact	CuSn
Degree of protection	IP67
Contact resistance	$\leq 5 \text{ m}\Omega$
Insulation resistance	$\geq 1.E+09 \text{ }\Omega$

► Drawings

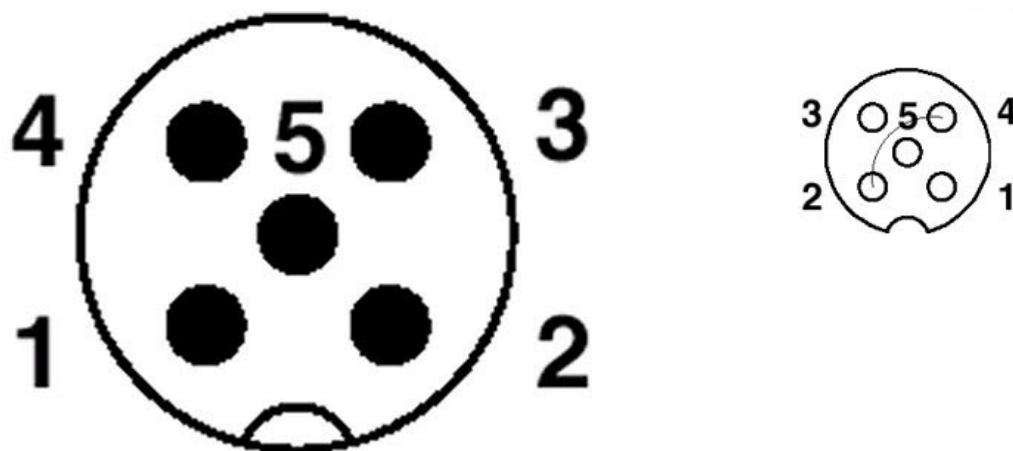
Dimensioned drawing



Circuit diagram



Schematic diagram



► Address

PHOENIX CONTACT GmbH & Co. KG
Flachsmarktstr. 8
32825 Blomberg
Germany
Phone +49 5235 3 00
Fax +49 5235 3 1200
<http://www.phoenixcontact.com>
Phoenix Contact
Technical modifications reserved;